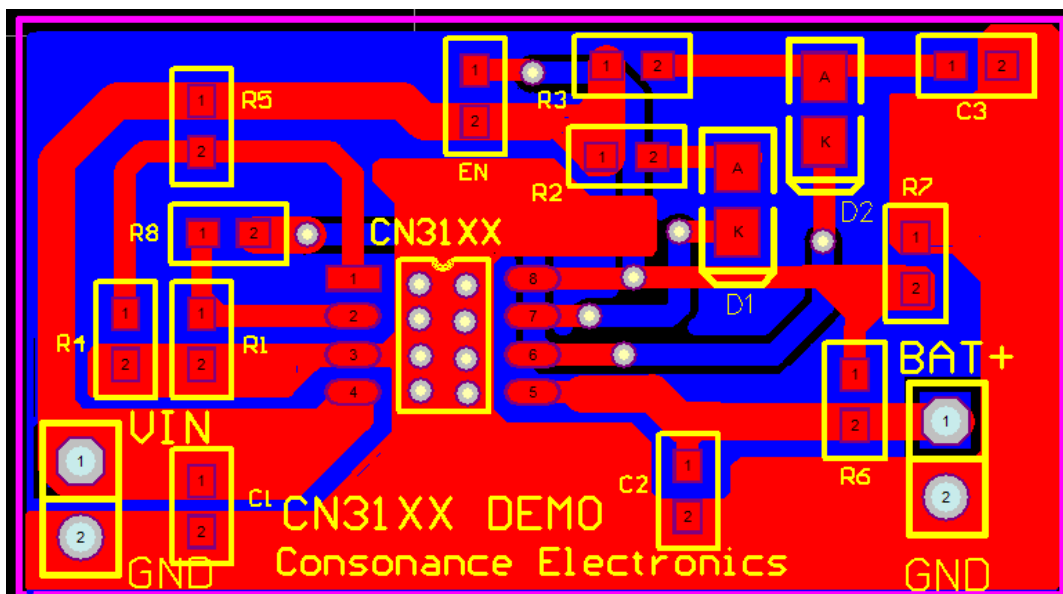


Quick Start the CN31XX demo board

1、 Overview

CN31XX demo board is to meet a variety of circuit design. It can meet the chip type: CN3052A, CN3152, CN3153, CN3155, CN3162, CN3058E, CN3085, CN3063, CN3082, CN3163, CN3158. For a single customer, many components are not needed.

2、 CN31XX DEMO



3、 List and description of basic components

No.	Name	Description
1	VIN	Input power supply.
2	GND	Input power and battery ground connection terminal.
3	BAT+	Battery positive connecting terminal.
4	CN31XX	CN3052A, CN3152, CN3153, CN3155, CN3162, CN3058E, CN3085, CN3063, CN3082, CN3163, CN3158.
5	R1	Charging current setting resistors, CN3052A, CN3152, CN3153, CN3155, CN3162, CN3058E, CN3085, CN3063, CN3082, CN3163, CN3158 and so on must be welded.
6	R2	Charge display current limiting resistor, welding when needed.
7	R3	CN3052A, CN3152, CN3153, CN3155, CN3162, CN3058E, CN3063, CN3163, CN3158 and other charging display current limiting resistor, welding. CN3085, timing resistance when necessary, must be welded
8	R4	CN3052A, CN3152, CN3162, CN3058E, CN3085, CN3082, CN3163,

		CN3158 temperature detection resistor.CN3063 no need to welding. If no need the temperature detection, use 0 ohm resistance welding.CN3153, using a 0 ohm resistor, current trickle for constant current charging 10%.CN3155 single lithium titanate battery, R4 = 0 ohms.
9	R5	CN3052A, CN3152, CN3162, CN3058E, CN3085, CN3063, CN3082, CN3163, CN3158 temperature detection resistor. If the temperature detection function is prohibited, without welding.CN3153, use 0 ohm resistor, trickle current and constant current charge is equal to the current.CN3155 charge two lithium titanate battery, R5 = 0 ohms.
10	R6	CN3052A, CN3152 not welding, CN3153, CN3155, CN3162, CN3058E, CN3063 , CN3163, CN3158voltage setting resistance, CN3085, CN3082 voltage set resistor.
11	R7	CN3052A, CN3152, CN3153, CN3155, CN3162, CN3058E, CN3063, CN3163, CN3158 do not weld, CN3085, CN3082 voltage set resistors.
12	R8	CN3082 maintains the charging current and sets the resistance.
13	C1	Input capacitance.
14	C2	Output capacitance.
15	C3	CN3085 timing capacitor, CN3052A, CN3152, CN3153, CN3155, CN3162, CN3058E, CN3063, CN3082, CN3163, CN3158 not welding.
16	D1	Charging display diode, welding when needed.
17	D2	CN3052A, CN3152, CN3153, CN3155, CN3162, CN3058E, CN3063, CN3163, CN3158 charge display diode, when needed, welding.CN3085 using 0 ohm short circuit, connect sixth pins.CN3082 without welding.
18	EN	CN3052A, CN3152 enable access, using 0 ohm resistor. CN3153, CN3155, CN3162, CN3058E, CN3085, CN3063, CN3082, CN3163, CN3158don't need welding.