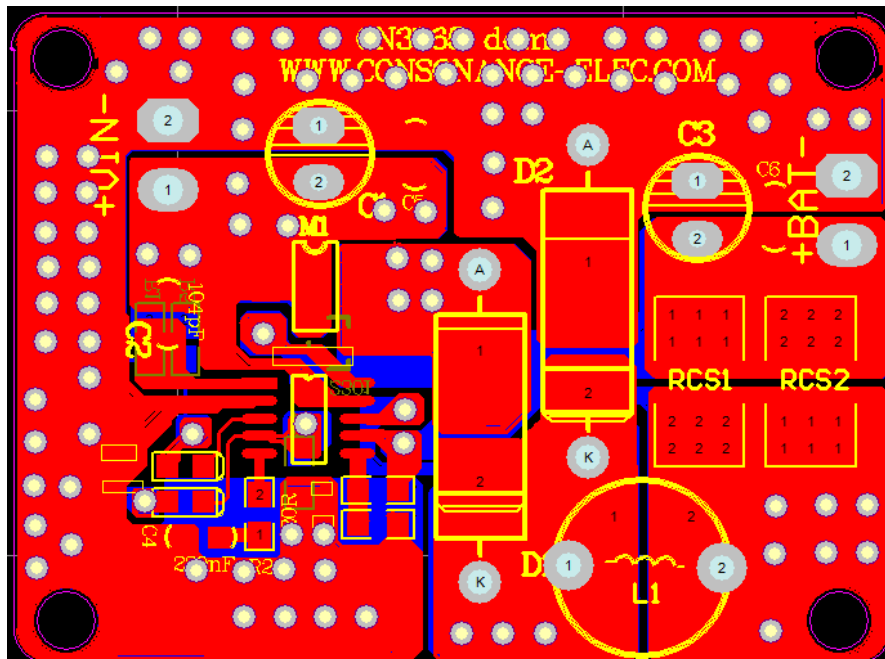


Quick Start of CN3765 Demo Board

1、 Overview

CN3765 demo board is for the purpose of fast evaluation of CN3765.

2、 PCB Layout of CN3765 Demo Board



3、 Component List and Descriptions

| No. | Name | Description |
|-----|--------|---|
| 1 | VIN+ | Positive Terminal of Input Power Supply. |
| 2 | VIN- | Negative Terminal of Input Power Supply. |
| 3 | BAT+ | Positive Terminal of Battery. |
| 4 | BAT- | Negative Terminal of Battery. |
| 5 | M1 | The P-Channel MOSFET. A P-channel MOSFET in SOP8 package is available on the front side of the demo board, and another MOSFET in SOT23-3 package is available on the back side of the demo board. |
| 6 | CN3765 | Charge Management IC CN3765. |
| 7 | D1,D2, | Schottky Diode. |
| 8 | RED | Red LED, charging status indication. |
| 9 | GREEN | Green LED, charge termination indication. |
| 10 | L1 | Inductor. |
| 11 | Rcs | Charge Current Sense Resistor. In the case of large charge current, 2 resistors in parallel can be used. |
| 12 | C1, C5 | Input Supply Bypassing Capacitor. An eletrolytic capacitor can be used for C1, and an SMT ceramic capacitor can be used for C5. Refer to CN3765 datasheet for the capacitor selection. |

(Continued on Next Page)

CONSONANCE

(Continued from Last Page)

| No. | Name | Description |
|-----|--------|---|
| 13 | C2 | Ceramic Capacitor. Capacitor value 100nF. |
| 14 | C3, C6 | Output Bypassing Capacitance. A 10uF electrolytic capacitor can be used for C3, and an SMT ceramic capacitor can be used for C6. Refer to CN3765 datasheet for the capacitor selection. |
| 15 | C4 | Ceramic Capacitor. Capacitor value should be 220nF. |
| 16 | R1 | Constant Voltage Setting Resistor. Refer to CN3765 datasheet for details. |
| 17 | R2 | Constant Voltage Setting Resistor. Refer to CN3765 datasheet for details. |
| 18 | R3 | LED Current Limiting Resistor. The resistor value can be chosen according to the brightness requirement of LED |
| 19 | R4 | Resistor. The resistance is 120 ohms. |
| 20 | R6 | 0 ohms Resistor. When the Done lamp is not used, the Done pin is grounded |